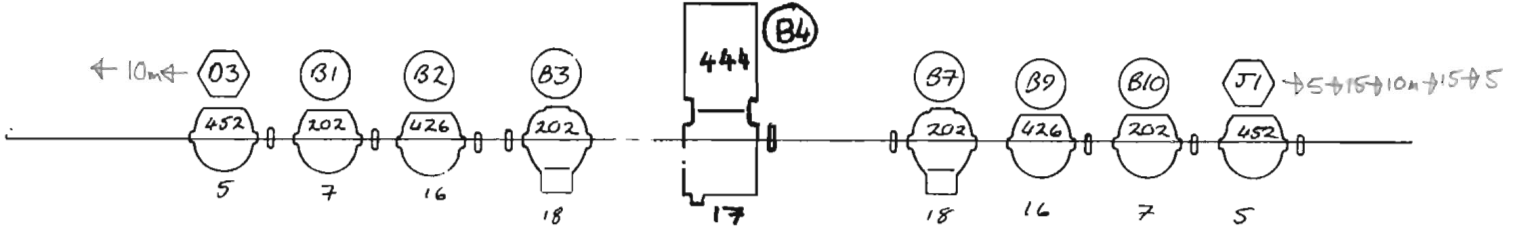
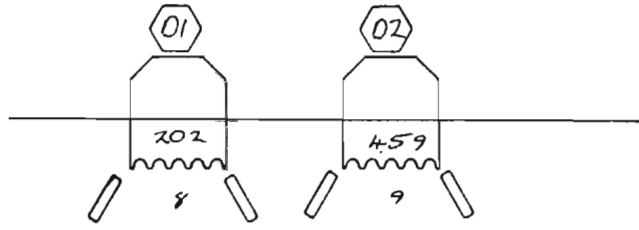
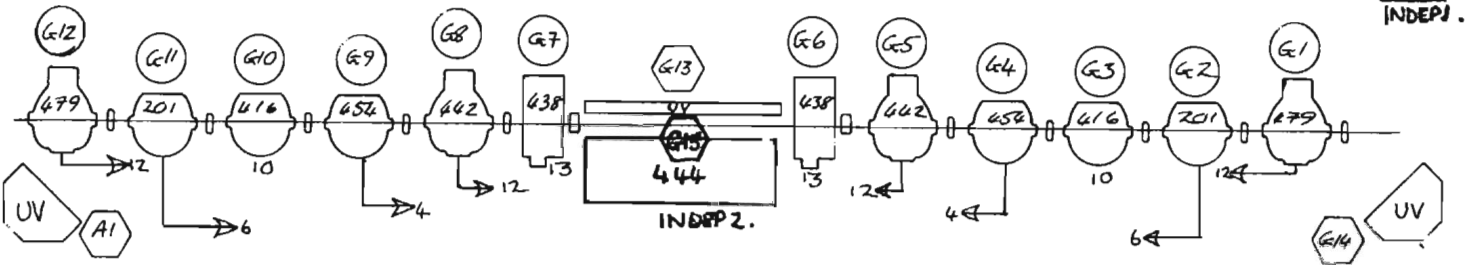
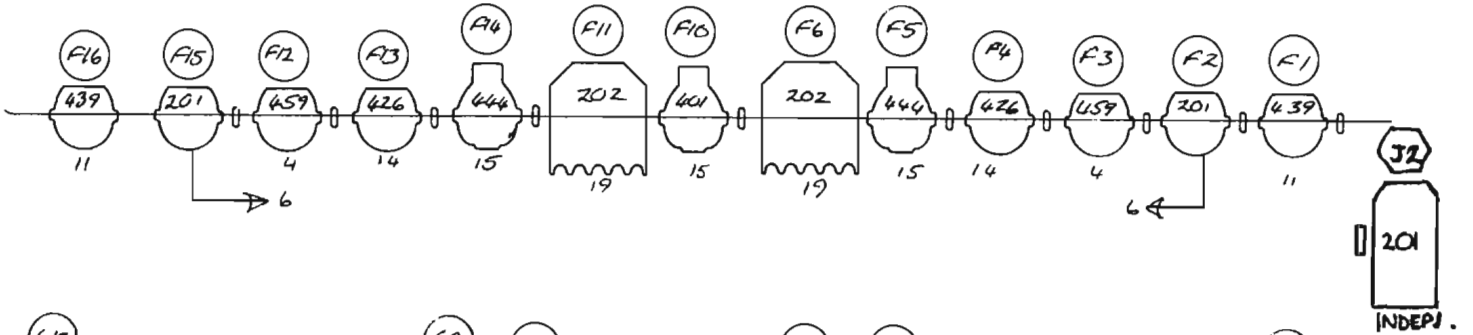


CHANNEL 20-406
 CHANNEL 21-424
 CHANNEL 22-419

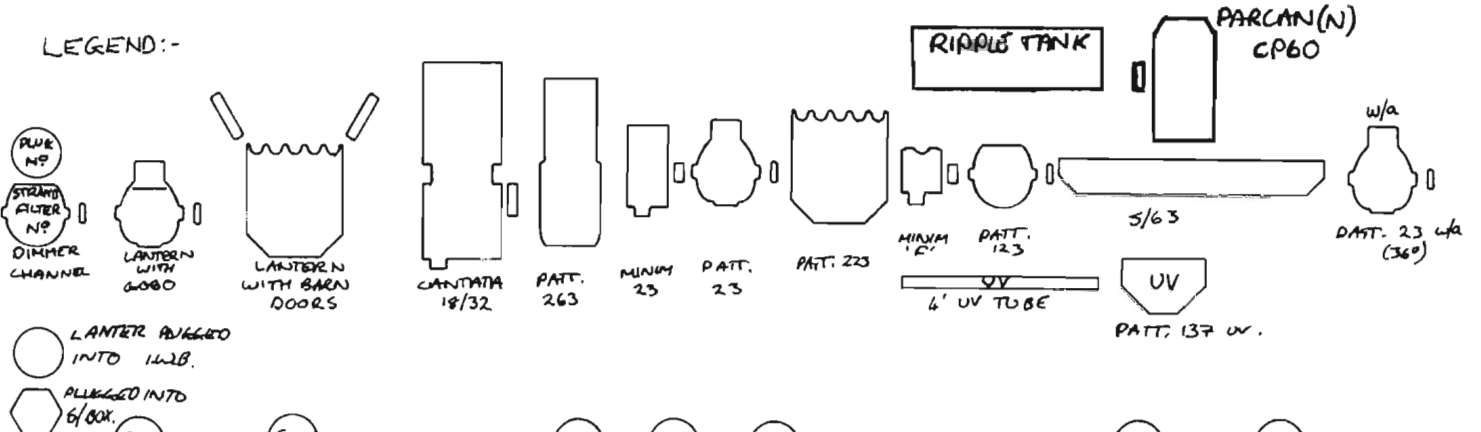


"CRYSTAL & THE GOLDEN HEART"

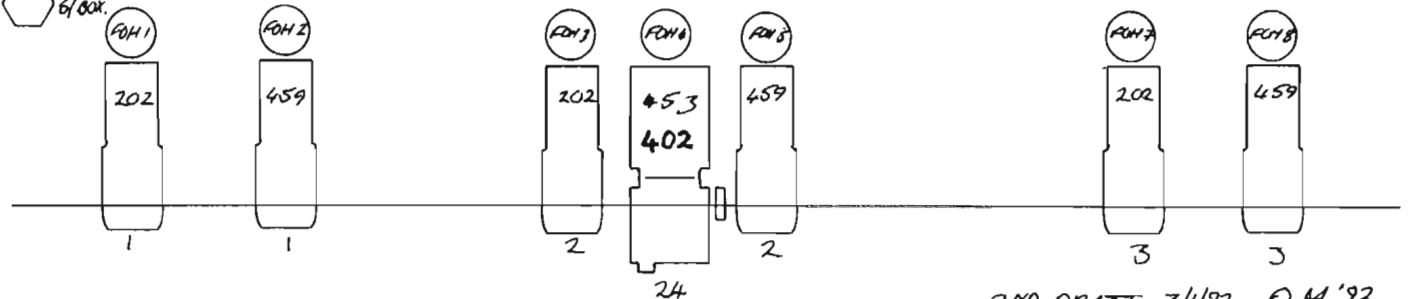
E4TC - 13 to 15 Feb '92.



LEGEND:-



○ LANTER PLUGGED INTO 142B.
 ⬡ PLUGGED INTO 6/BOX.



2ND DRAFT 3/1/92 - © M '92